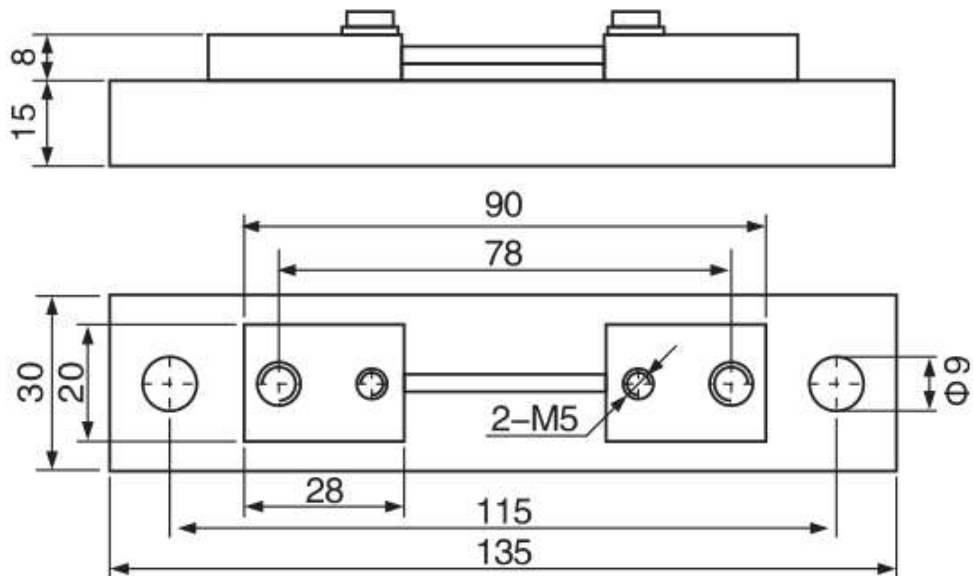




# SHUNT: 1A -25A



CURRENT	ACCURACY	VOLTAGE
1A	0.5%	60mV - 100mV
1.5A		
2.5A		
4A		
6A		
10A		
15A		
20A		
25A		

## ORDER CODE

Example:

**1A - 460 - 05**

1A: with screw

4: 4Amp

60: 60mV

05: accuracy 0.5