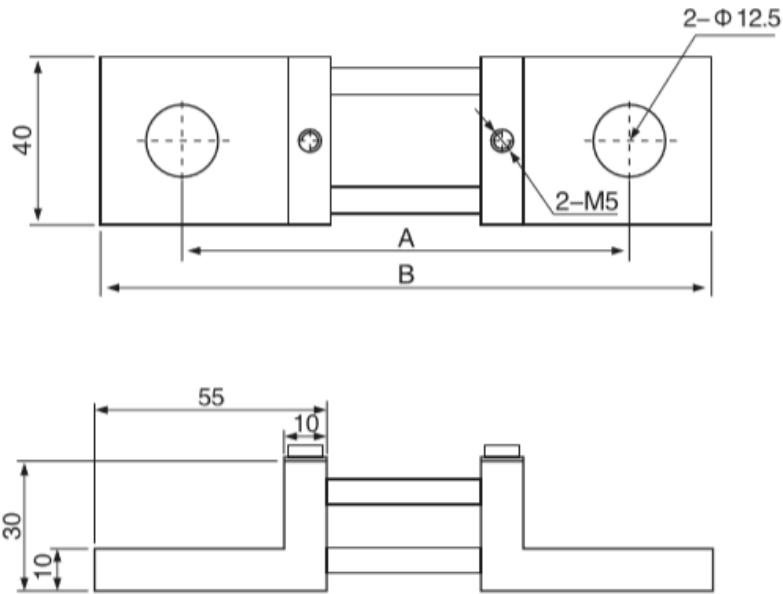




# SHUNT: 400A - 1000A



400A - 500A - 600A		
	60mV	100mV
A	105	130
B	145	170

800A - 1000A		
	60mV	100mV
A	115	138
B	165	188

CURRENT	ACCURACY	VOLTAGE
400A	0.5%	60mV - 100mV
500A		
600A		
800A		
1000A		

## ORDER CODE

Example:

**1A - 400100 - 05**

1A: with screw

400: 400Amp

100: 100mV

05: accuracy 0.5